



CESCO Magnetics

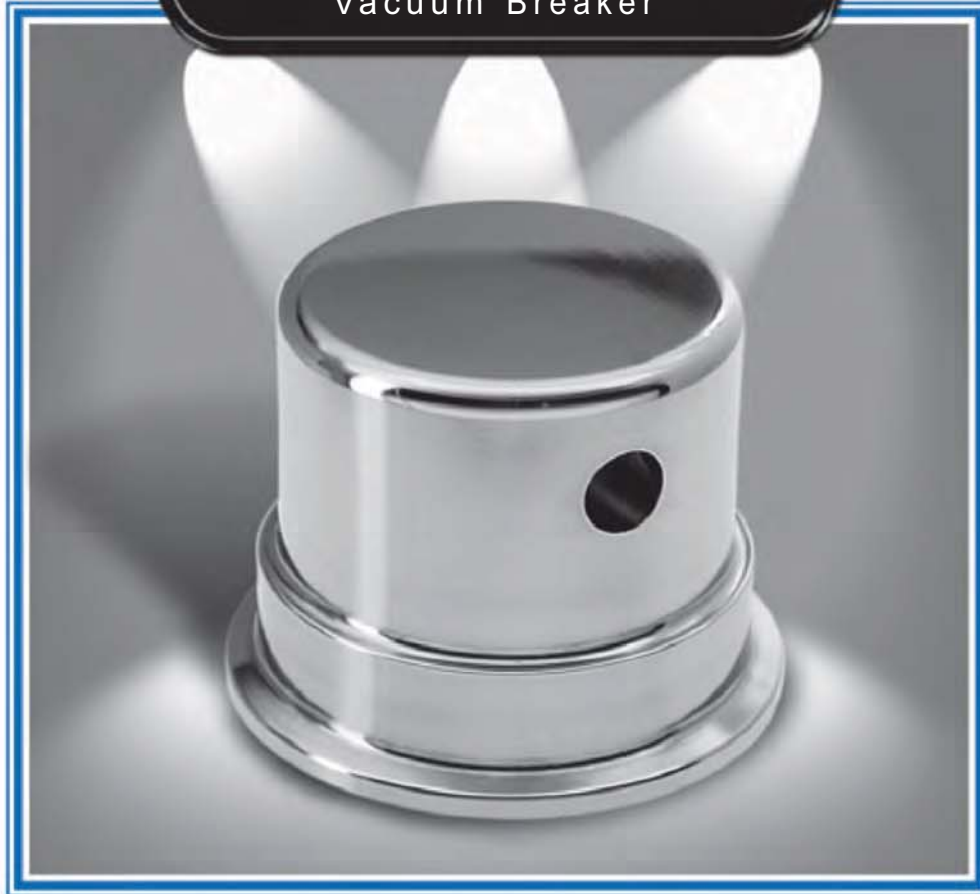
90 Market Street
Georgetown
Texas 78626 USA



Phone: 707-585-2402
Fax: 707-585-3886
Toll Free: 877-624-8727
cescomagnetics.com

S E R V I N G T H E F O O D I N D U S T R Y S I N C E 1 9 4 6

• QV/QVO • Vacuum Breaker



DESCRIPTION OF VALVE OPERATION:

A compact, quick acting, sanitary vacuum breaker for eliminating air from processing lines. It offers two-way passage of air flow until the line is pressurized, then the plug rises and closes the valve. When depressurized, the plug drops, which allows air back into the system, draining the line of liquid.

FEATURES:

- Easy to clean and assemble
- All 316 stainless steel
- Positive sealing with negligible spitting
- Both the QV and QVO have the same action
- The QVO with its O-ring seal is designed for hot, crusting liquids and abusive environments where the QV's metal-to-metal seat may be damaged.

DAIRY OPERATIONS NEEDS FOR VACUUM RELIEF & VENTING:

HTST Pasteurization - for protection of heat generators against siphon drainage;
Vacuum Pasteurization - preventing exposure of flow diversion valves to downstream vacuum;

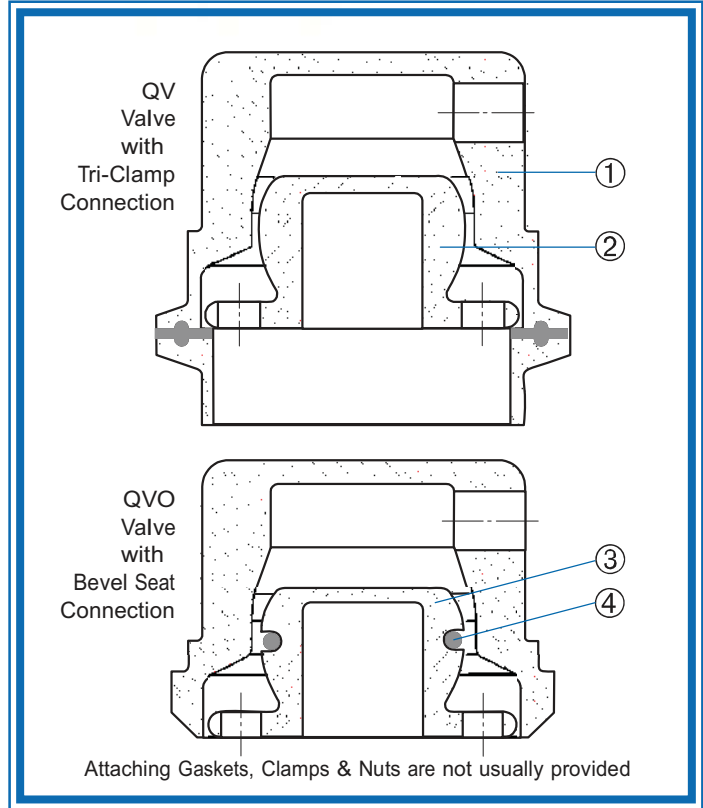
USES:

1. Siphon Prevention
2. Venting air from liquid lines and allowing lines to drain.

Q - US Reg Trade Mark - Covered under US Patent 2902250, 3121444, 3232313, 3311342 or 3410296

CESCO builds **QUALITY** equipment made to your satisfaction.
CESCO for all your magnetic separator needs.

QV/QVO Vacuum Relief Valve



QV/QVO VALVES

These valves work reliably when used in milk processing lines. Milk fats serve as lubricants for the valves. For products not containing natural lubricants, approved lubricants may be used. If using a QVO valve, try teflon coated Buna-N or Viton O-rings.

NOTES:

1. Due to varying conditions of each system, every Q-Control valve should be tested in place before being relied upon for protection during operation.
2. Information presented is general and may not apply to the conditions of individual installation.
3. The manufacturer's warranty relates to workmanship, sanitary requirements, and action as tested when shipped. Any liability cannot exceed the price of the valve.

VALVE SPECIFICATION

LINE SIZE	1 1/2"	2"	2 1/2"
Valve Height	1 - 11/16"	1 - 7/8"	1 - 7/8"
Q-Seat Diameter	3/4"	1 - 1/4"	1 - 1/4"
Orifice Diameter - Equiv. Net Air Flow	3/16"	11/32"	11/32"

VALVES

Part No.	TriClamp Valves	Part No.	Bevel Seat Valves
15QVTC	1.5" QV-TriClamp	15QVBS	1.5" QV-Bevel Seat
15QVOTC	1.5" QVO-TriClamp	15QVOBS	1.5" QVO-Bevel Seat
20QVTC	2" QV-TriClamp	20QVBS	2" QV-Bevel Seat
20QVOTC	2" QVO-TriClamp	20QVOBS	2" QVO-Bevel Seat
25QVTC	2.5" QV-TriClamp	25QVBS	2.5" QV-Bevel Seat
25QVOTC	2.5" QVO-TriClamp	25QVOBS	2.5" QVO-Bevel Seat

INDIVIDUAL PARTS

Item	Part No.	Description	Material
	QV15BDT	1.5" QV Body - TriClamp	316SS
	QV15BDB	1.5" QV Body - Bevel Seat	316SS
	QV15PL	1.5" QV Plug	316SS
	QV15PL	1.5" QVO Plug	316SS
	OR113B	1.5" O-ring	Buna-N
	OR113TC	1.5" O-ring - Teflon Coated	Buna-N
	OR113V	1.5" O-ring	Viton
1*	QV20BDT	2" QV Body - TriClamp	316SS
	QV20BDB	2" QV Body - Bevel Seat	316SS
2*	QV20PL	2" QV Plug	316SS
3	QVO20PL	2" QVO Plug	316SS
4	OR214B	2" O-ring	Buna-N
	OR214TC	2" O-ring - Teflon Coated	Buna-N
	OR214V	2" O-ring	Viton
	QV25AT	Adapter, 2" to 2 1/2" Line, TriClamp end	316SS
	QV25AB	Adapter, 2" to 2 1/2" Line, Bevel Seat end	316SS

*QV Bodies and Plugs are lapped, becoming mated parts



CESCO Magnetics • 90 Market Street • Georgetown • Texas 78626 USA
 Phone: 707-585-2402 • Fax: 707-585-3886 • Toll Free: 877-624-8727 • cescomagnetics.com

SERVING THE FOOD INDUSTRY SINCE 1946